

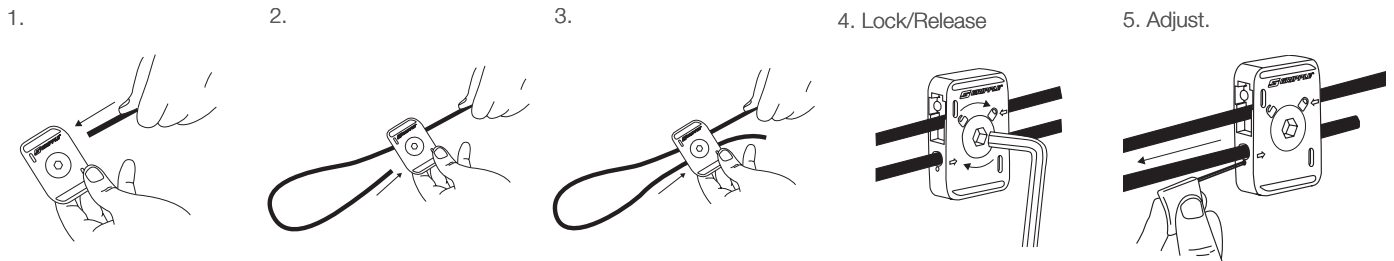
Designed for suspension and bracing of high load applications and catenary installations.

FEATURES / BENEFITS

- Quick and simple installation
- Integral lock secures wire in both channels simultaneously for safety and security
- Designed for high load applications
- Easily tensioned and retensioned
- Suitable for indoor and outdoor applications
- Supplied in ready-to-use kits

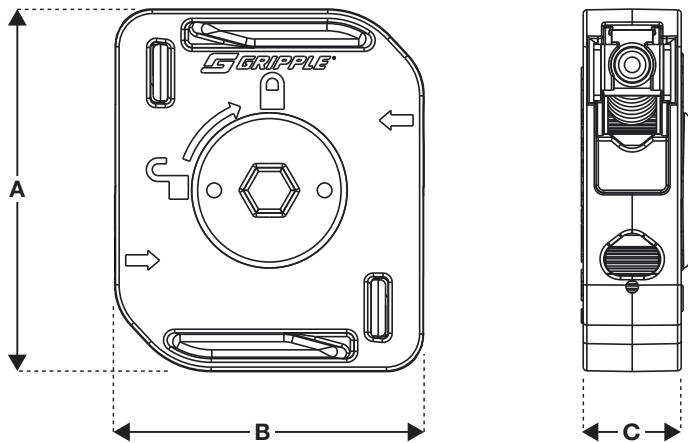


INSTALLATION & ADJUSTMENT



Ensure a minimum 75 mm of tail wire exits the hanger.

SPECIFICATION



Dimension	D2 (mm)	D3 (mm)	D4 (mm)	D6 (mm)
A	33	33	49	62
B	30.5	30.5	42	42
C	11.2	11.2	15	15

AVAILABLE END FIXINGS



For more options on available end fixings please contact us or visit www.gripple.com

SUBMITTAL INFORMATION

Safe Working Load:

Please refer to page two overleaf.

Wire Size:

D2 - 2 mm D4 - 4 - 4.75 mm*
D3 - 3 mm D6 - 6 mm

*Load ratings apply when supplied with Gripple 4.75 mm wire

Material:

Housing - Type ZA2 Zinc

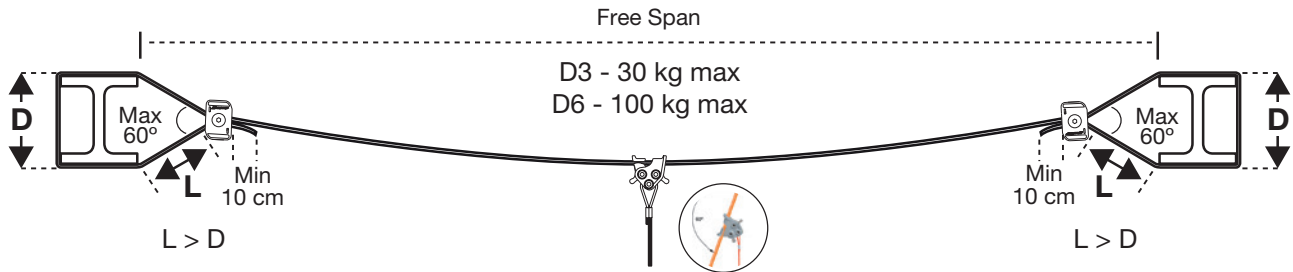
Roller - Ceramic Sintox FA

Spring - Stainless Steel (Type 302)

End Cap - UV stabilised homopolymer propylene

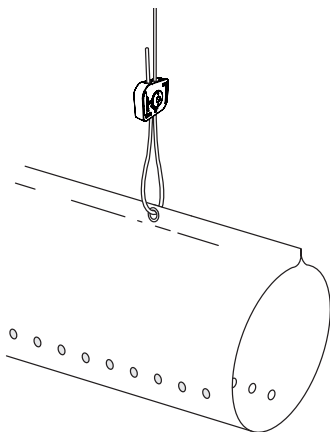
Designed for suspension and bracing of high load applications and catenary installations.

CATENARY



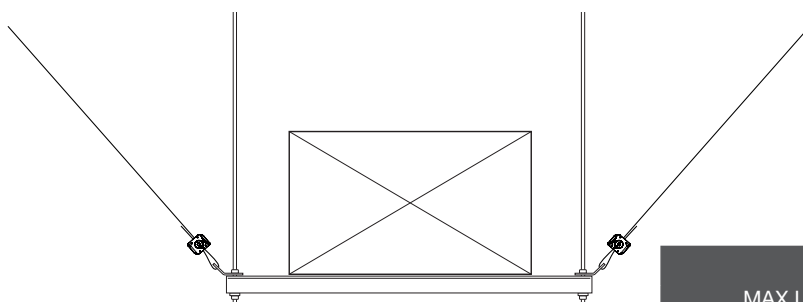
5:1 SAFETY FACTOR VERTICAL LOAD RATING PER FREE SPAN	D2	D3	D4	D6
	N/A	30 kg (66 lbs)	N/A	100 kg (220 lbs)

HANGER



5:1 SAFETY FACTOR	D2	D3	D4	D6
	45 kg (100 lbs)	90 kg (200 lbs)	225 kg (495 lbs)	350 kg (770 lbs)

BRACING



MAX LOAD PER WIRE ROPE	D2	D3	D4	D6
	1.76 kN (Max)	3.53 kN (Max)	7.35 kN (Max)	14.71 kN (Max)

If wire rope is to be used as a primary load support please refer to Gripple recommendations for hanging at angles.