

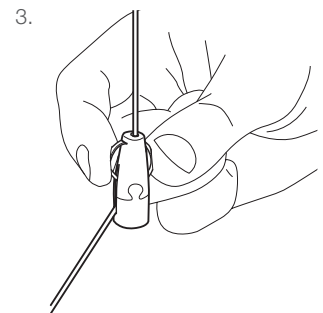
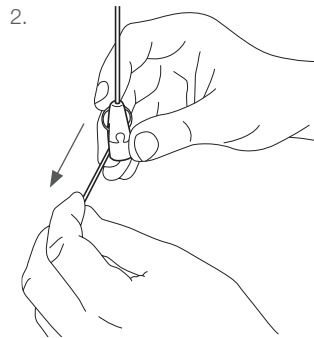
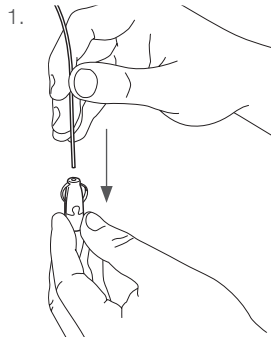
Designed for architectural lighting suspensions, signage, acoustic baffles and all other installations where aesthetics are important.

FEATURES / BENEFITS

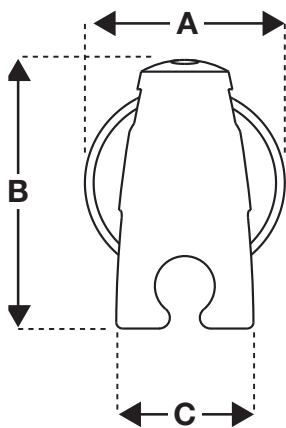
- Simple one handed operation for easy adjustment
- Contemporary design to compliment the overall suspension
- Extensive range of ceiling fixtures allowing installation in most locations
- Variety of feet fixings to enable attachment to different fixing points
- Supplied in convenient, ready-to-use kits in lengths up to 10 m as standard
- Uses 1.5 mm wire rope to make the suspension as discreet as possible



INSTALLATION & ADJUSTMENT



SPECIFICATION



Dimension	mm
A	16
B	21.5
C	11

AVAILABLE END FIXINGS



For more options on available end fixings please contact us or visit www.gripple.com

SUBMITTAL INFORMATION

Load Rating:

15 kg @ 5:1 safety factor

Material:

Housing - No. 2 Zinc Alloy (EN 12844 ZP2)

Roller - Brass (BSEN 12164)

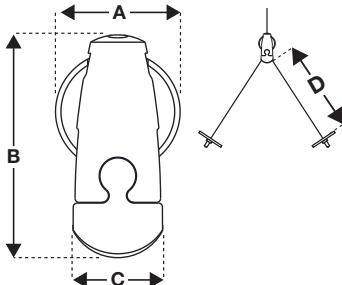
Spring - Acetal (POM)

Plating - Bright Nickel Plating (BS 4758)



The Angel is now even more versatile with a wide range of feet available to suit your application.

Y-Fit

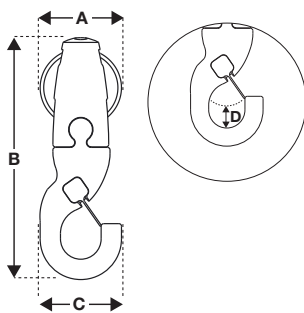


- Dual fixing points for balance
- 150 mm, 300 mm and 500 mm leg lengths as standard
- Legs available with a variety of wire end fixings eg. Toggle, Snap Hook etc.



Dimension	A	B	C	D
Size (mm)	16	28.5	Ø 11.5	150, 300 or 500

Hook

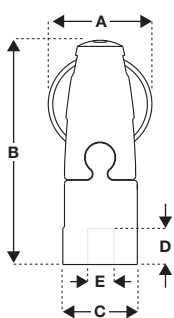


- Ideal for light fittings, signage, or for use with eyebolts, spring and wire anchors
- Safety clasp for security
- Integrated Side Hook with 4.5 mm clearance
- Side wire exit



Dimension	A	B	C	D
Size (mm)	16	47.5	16.0	4.5

Side Exit Female

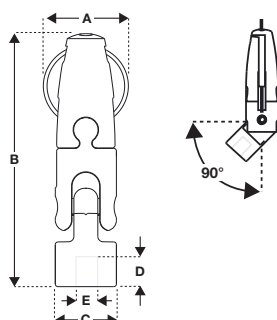


- Threaded female foot, ideal for direct attachment to light fittings, frames and acoustic panels
- Side wire exit
- Available in M4, M6 and 1/4" UNC
- Maximum insertion depth 6 mm



Dimension	A	B	C	D	E
Size (mm)	16	35	Ø 11.5	Max 6mm	M4, M6 or 1/4" UNC

Swivel



- Swivel feature for suspension at angles up to 90°
- Male and Female versions available
- Male: 15 mm exposed thread length as standard (M6)
- Threads available are M4, M6, M8 and 1/4" UNC
- Female: maximum insertion depth 6 mm



Dimension	A	B	C	D	E
Size (mm)	16	47	Ø 11.5	Max 6mm	M4, M6, M8 or 1/4" UNC

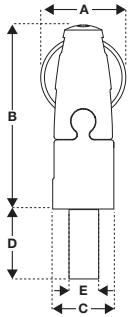
PI-ANGEL-ENG

www.gripple.com

Gripple's policy is one of continuous development and innovation. We therefore reserve the right to alter specifications, etc. without notice.

The Angel is now even more versatile with a wide range of feet available to suit your application.

Side Exit Male



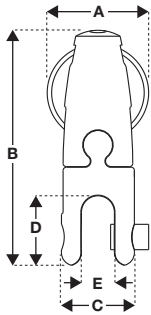
- Threaded male foot, ideal for direct attachment to light fittings frames and acoustic panels
- Side wire exit. Available in M4, M6 and 1/4" UNC as standard. M5, M8, M10 and M13 adaptors available
- 15 mm exposed thread length as standard (M6), bespoke lengths available on request



Dimension	A	B	C	D
Size (mm)	16	35	Ø 11.5	15

E
M4, M5, M6, M8, M10, M13 or 1/4" UNC

Signage

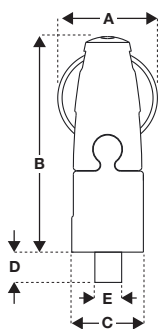


- Ideal for signage up to 5 mm in thickness
- Grub screw for direct attachment
- Side wire exit
- Available with a variety of wire end fixings



Dimension	A	B	C	D	E
Size (mm)	16	37.0	Ø 11.5	11	5

Central Exit



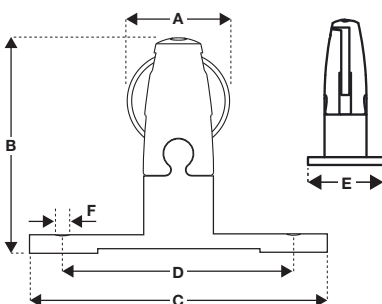
- Threaded male foot, ideal for direct attachment to light fittings and frames
- Central wire exit. Available in M6 and 1/4" UNC, as standard
- 5 mm exposed thread length as standard, bespoke lengths available on request



Dimension	A	B	C	D
Size (mm)	16	35	Ø 11.5	5

E
M6 or 1/4" UNC

Signage Rail



- Ideal for suspending signage or panels (on rail or by screws)
- Two screw holes for direct attachment
- Side wire exit

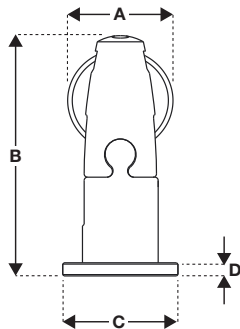


Dimension	A	B	C	D
Size (mm)	16	35	50	35

E	F
15	Ø 5

The Angel is now even more versatile with a wide range of feet available to suit your application.

Disc

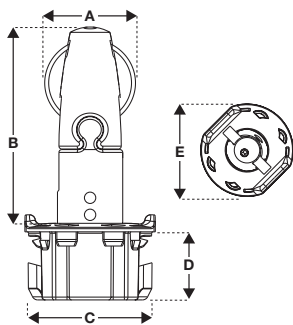


- Ideal for use with various lighting tracks and track hangers
- Side wire exit
- Available with a variety of wire end fixings e.g. toggle, end stop etc



Dimension	A	B	C	D
Size (mm)	16	37	Ø 17.5	2

Knockout

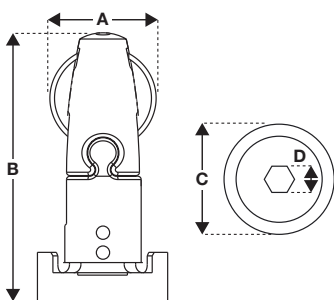


- Ideal for lighting with standard 22 mm (7/8") knockout holes
- Slots into knockout centers and twists to lock into place
- No tools required
- Available with a variety of wire end fixings
- No internal access required to light fitting



Dimension	A	B	C (Hole Size)	D	E
Size (mm)	16	35	Ø 22	12	25

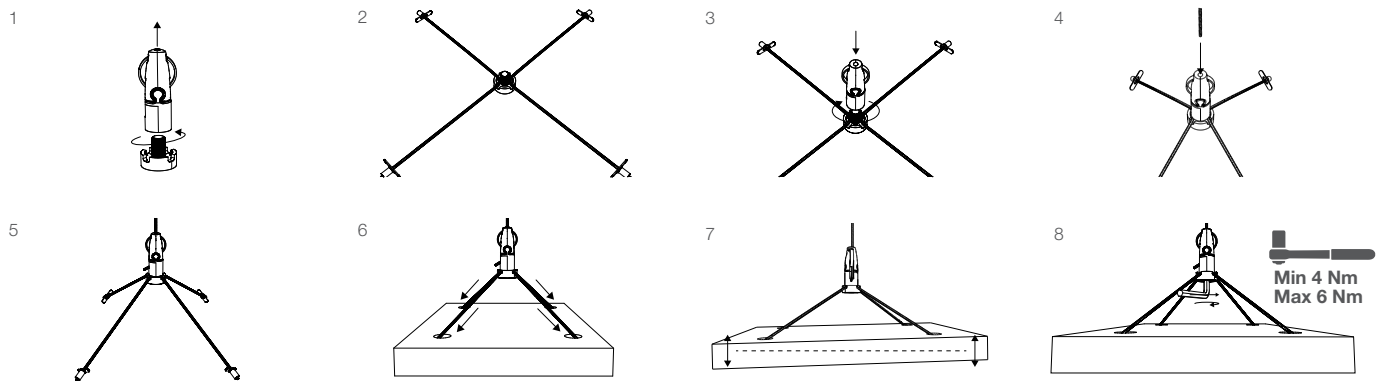
Four Point



- Quadruple fixing points
- 150 mm, 300 mm and 500 mm leg lengths as standard
- Adjustable legs for balance
- Legs available with a variety of wire end fixings eg. Toggle, Snap Hook etc.



Dimension	A	B	C	D
Size (mm)	16	40	Ø 16	4



Always set legs equidistance from centre to ensure even load distribution.