

# Trapeze Range

**POLYPLAS**  
INTERNATIONAL

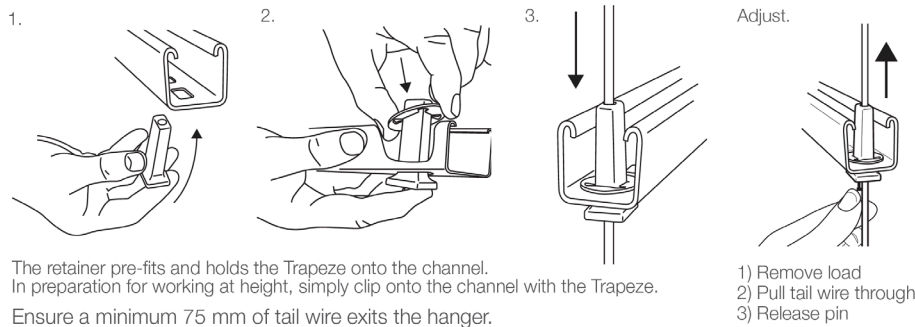
Ideal for single and multi-tiered suspension of piping, electrical and HVAC services

## FEATURES & BENEFITS

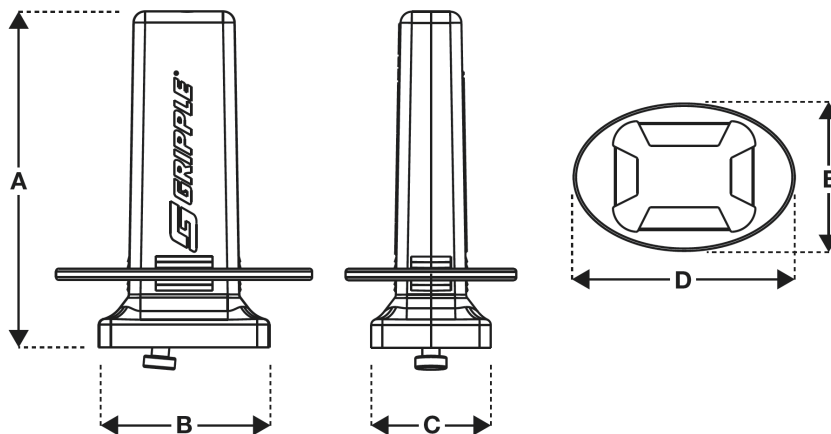
- Ideal for fast suspension of cable containment, pipework, ductwork, air conditioning cassettes and chilled beams
- Aesthetic, tapered design; accommodates all slots sizes
- Discreet; fits completely inside the channel
- Pre-fits onto channel using retainer to ease working at height
- Available as an accessory for multi-tiered installations
- Supplied as a ready-to-use kit with a wide range of end fixings
- Ideal for use with Gripple Pipe Bracket and QT Universal Clamp for mechanical installations



## INSTALLATION & ADJUSTMENT



## SPECIFICATION & DIMENSIONS



Dimension	No.2 (mm)	No.3 (mm)	No.4 (mm)
A	37.5	43	43
B	27.5	30	30
C	20.8	22	22
D	28	33	45
E	26	31	30

## RECOMMENDED END FIXINGS



## PRODUCT INFORMATION

**Safe Working Load:**  
 Trapeze No.2 - 45 kg @ 5:1 safety factor  
 Trapeze No.3 - 90 kg @ 5:1 safety factor  
 Trapeze No.4 - 225 kg @ 5:1 safety factor

**Material:**  
 Housing - Type ZA2 Zinc  
 Wedge - Sintered steel hardened to min. 56 Rockwell C  
 Spring - Stainless Steel (Type 302)  
 End Cap - UV stabilised homopolymer propylene  
 Pin - A2 Stainless Steel  
 Retainer - Acetal copolymer

GA-PI-TZ

[www.grippleaustralia.com.au](http://www.grippleaustralia.com.au)

Polyplas International are continuously working to develop and improve our product range. We reserve the right to change specifications, etc. without notice.



Polyplas International Pty Ltd, 3 Corporate Avenue, Rowville, VIC 3178  
 Tel: 03 9754 0333 Fax: 03 9755 6071 Email: [info@gripple.net.au](mailto:info@gripple.net.au)