

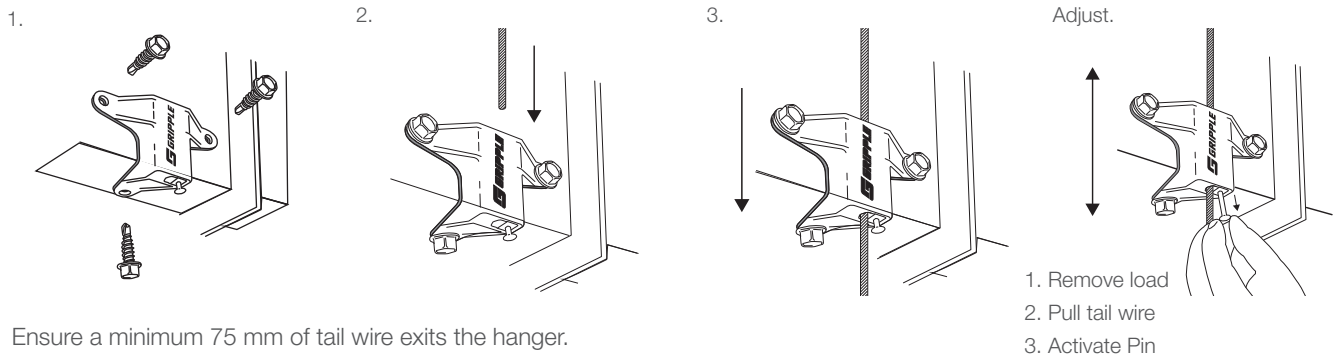
Ideal for fast suspension of rectangular ducting and associated equipment

FEATURES / BENEFITS

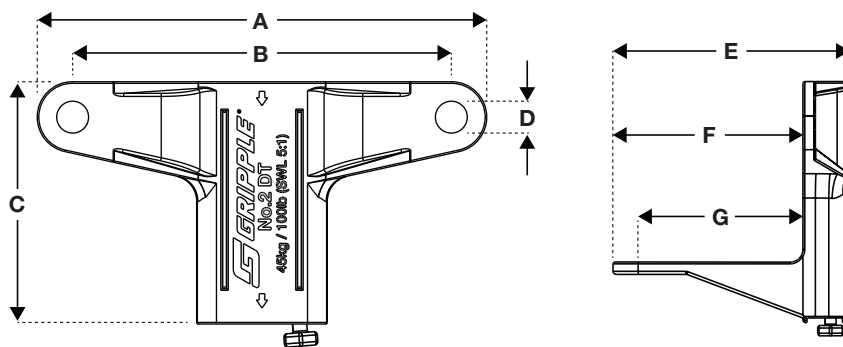
- Reduces time spent working at height
- Eliminates channel support
- Duct Trapeze can be installed at ground level
- Suitable for ducting made from 0.6 – 1.5 mm gauge steel
- Three fixing points, for self-drilling screws or pop rivets (not provided)
- Rubber pad prevents air leakage and dampens vibration
- Conforms to DW144 class D
- Pin allows rapid adjustment
- Supplied as a ready-to-use kit with a wide range of end fixings



INSTALLATION & ADJUSTMENT



SPECIFICATION



Dimension	mm
A	70
B	59
C	38
D	∅ - 5.0

Dimension	mm
E	38.0
F	29
G	23

AVAILABLE END FIXINGS



For more options on available end fixings please contact us or visit www.gripple.com

SUBMITTAL INFORMATION

Safe Working Load:

Duct Trapeze - 45 kg @ 5:1 safety factor

Material:

Housing - Type ZA2 Zinc

Wedge - Sintered steel hardened to min. 56 Rockwell C

Spring - Stainless Steel (Type 302)

End Cap - UV stabilised homopolymer propylene

Rubber Pad - EPDM 40±5 SHORE A

Pin - A2 Stainless Steel

