

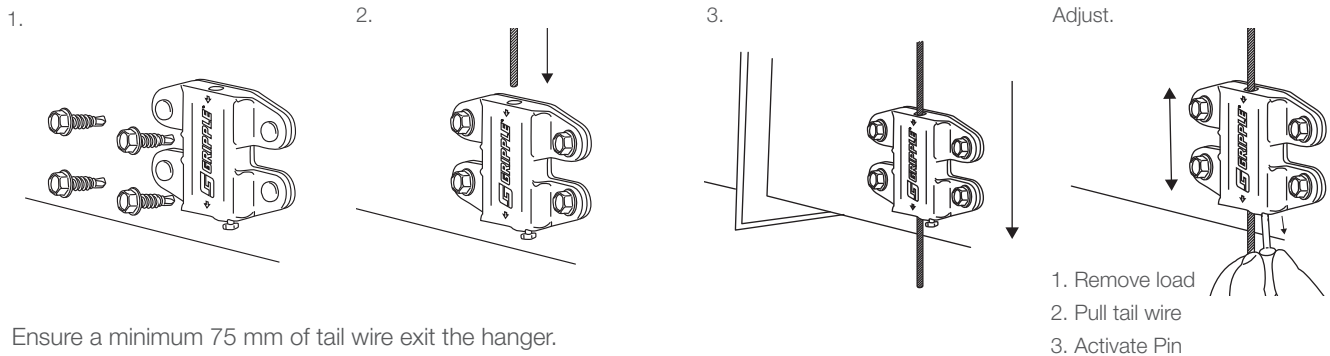
Ideal for fast suspension of rectangular ducting and associated equipment

FEATURES / BENEFITS

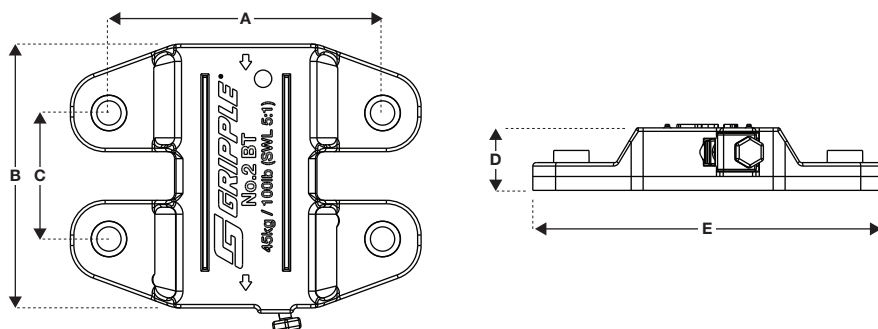
- Simple vertical adjustment using the integral pin prior to applying load
- Spreads the load across 4 fixing points
- Rubber pad prevents air leakage and dampens vibration
- Conforms to DW144 Class D
- Load rated at 45 kg with a 5:1 safety factor
- Can be used for multi-tiered installations
- Supplied as a ready-to-use kit
- Also available in black



INSTALLATION & ADJUSTMENT



SPECIFICATION



Dimension	mm
A	39.0
B	38.0
C	18.0

Dimension	mm
D	9.0
E	51.0

*Self drilling screws not supplied

AVAILABLE END FIXINGS



For more options on available end fixings please contact us or visit www.gripple.com

SUBMITTAL INFORMATION

Safe Working Load:

Butterfly Trapeze - 45 kg @ 5:1 safety factor

Material:

Housing - Type ZA2 Zinc

Wedge - Sintered steel hardened to min. 56 Rockwell C

Spring - Stainless Steel (Type 302)

End Cap - UV stabilised homopolymer propylene

Rubber Pad - EPDM 40±5 SHORE A

Pin - A2 Stainless Steel

